

INSTALLATION GUIDE

Important Note for Installers

These instructions are intended to guide installers on the installation of Anit radiators. Please read these instructions thoroughly before starting installation and leave them with the householder for future reference.

- Horizontal radiators in lengths of 50, 80, 100 and 120 cm with standard Height of 50 cm in glass or glassless models.
- Vertical radiators with a height of 150 cm and a width of 52 and 50 cm in different models of glass and without glass.
- Towel dryer in different sizes and colors.

Anit radiators are compatible with all heating sources such as Combo Boilers, central Heating Systems and solar panels.

Dear customers

Please read the Installation guide carefully and completely before installing the radiator and pay attention to all Notices and follow the structure

even if you are professional Technician.

Please only ask professional technicians to install your radiator.

- ⚠ Make sure that the heating system and pipes are washed before installing the radiator to any possible rust in the building's plumbing system and install the radiator later.
- ⚠ Be sure to read the warranty terms in the relevant section before installation and do not install the radiator before accepting the warranty terms.

Technical Information:

Material	Aluminium 6063
Color Quality	Powder electrostatic coating
Energy Efficiency	A++
Pressure Tolerance before leakage	Up to 50bar
Competitive Innovations & Technologies	
Micro Fin Tech	Improving the heat output rate by increasing the Surface area.
Uniform Heating Tech	Uniform heating at overall surface , even at low water flow
Anti corrosion coating	Anti Corrosion Technology
Compatibility with heating systems	Highest Compatibility
Compatibility with Thermostatic Valves	Compatible
Type of Fitting	Precision Cnc Machined Thread Fittings
Standards	CE, GOST, ISO 9001, ISO 18001

- Be Sure to use water Softener (Such as Polyphosphate filter) in the cold water path entering the combo boiler otherwise the radiator will be out of warranty.
- Be sure to use a brass filter in the hot water inlet to the radiator, and clean it after the first use within 2 months.



INSTALLATION GUIDE

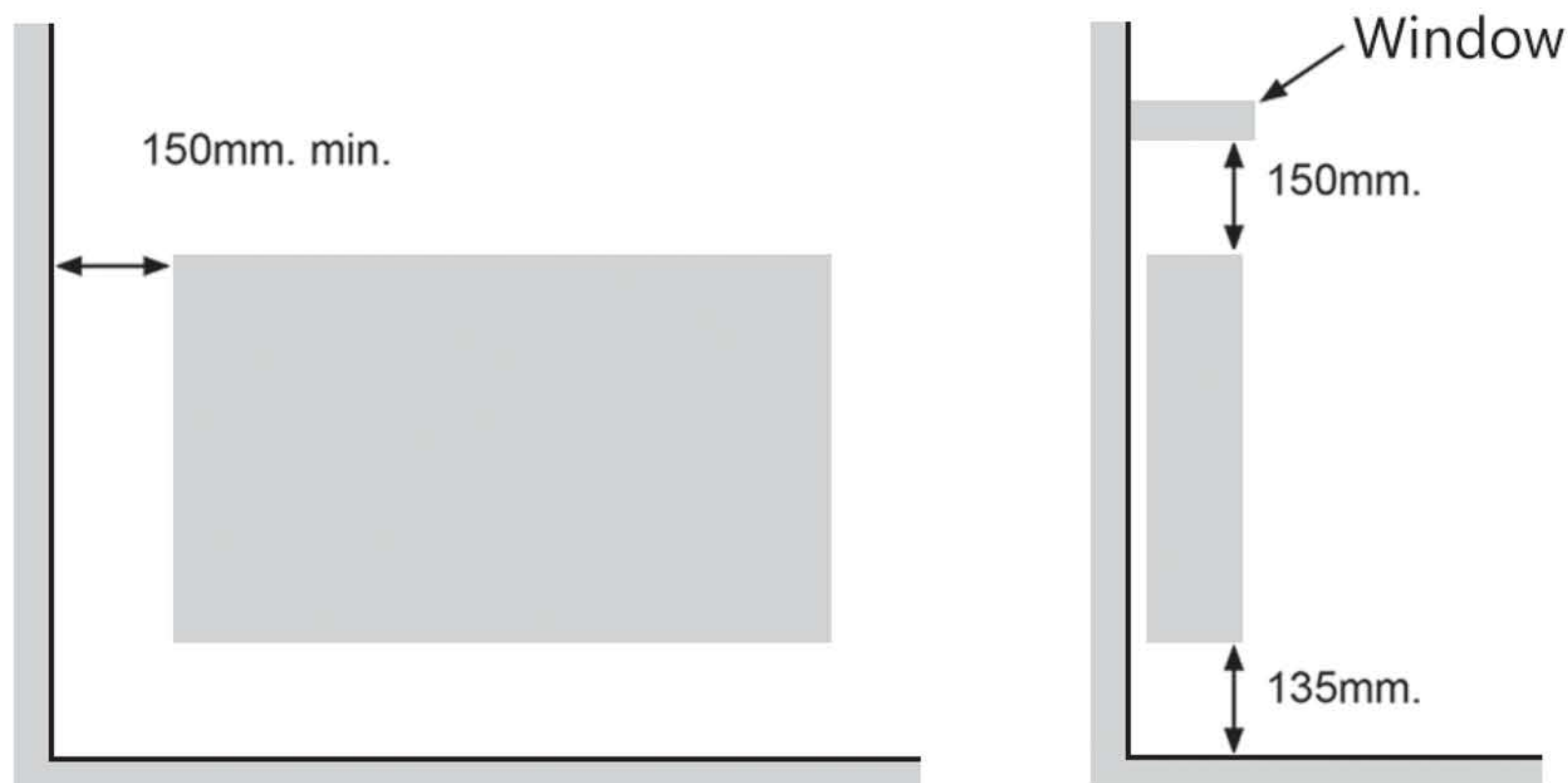
Tools:

Wrench, Allen Wrench, Screw, Screw Driver, Rawl Plug, Wall Mounted Bracket, Drill

Installation Steps:

This instruction would help technicians to install the radiator on the correct way. Please be aware that the installation would be different **if the both control valve and lock shield valve are installed down and if they installed top and down.**

Minimum empty space on each side



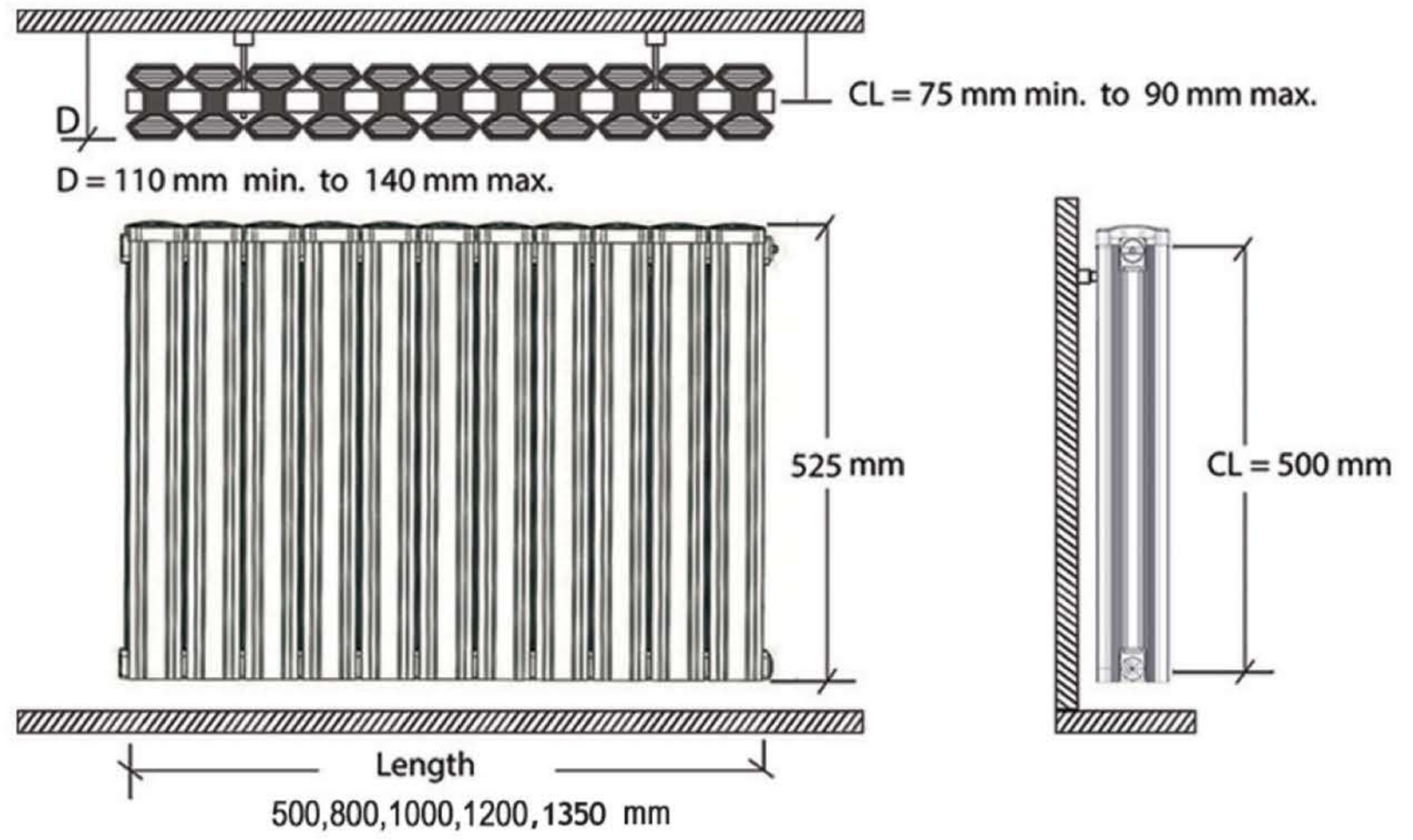
ATTENTION

- Minimum empty space from the floor 135 mm and 150 mm from above is required.
- Avoid covering the radiator with long curtains.
- Avoid placing the radiator in spaces that are close to the top and bottom.

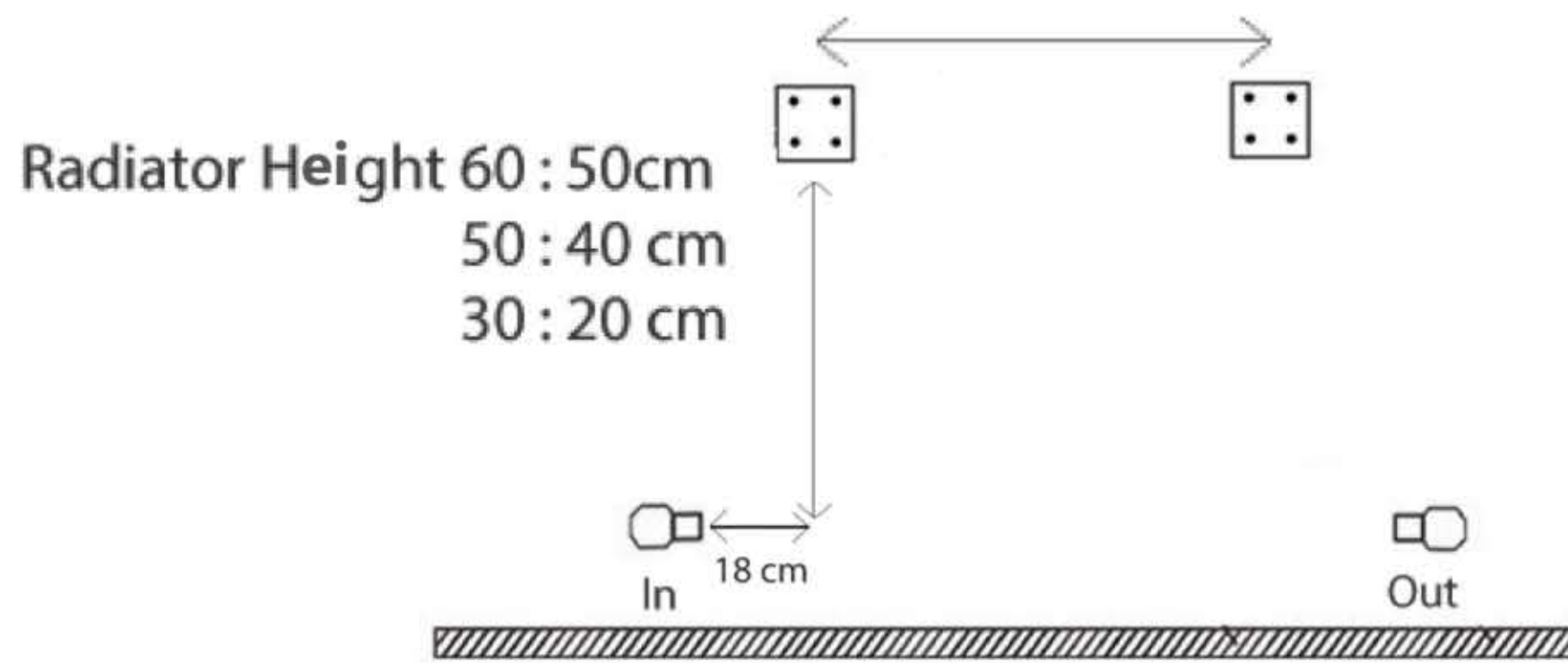
Installation Guide for Radiators:

Installation Guide for Horizontal Radiators:

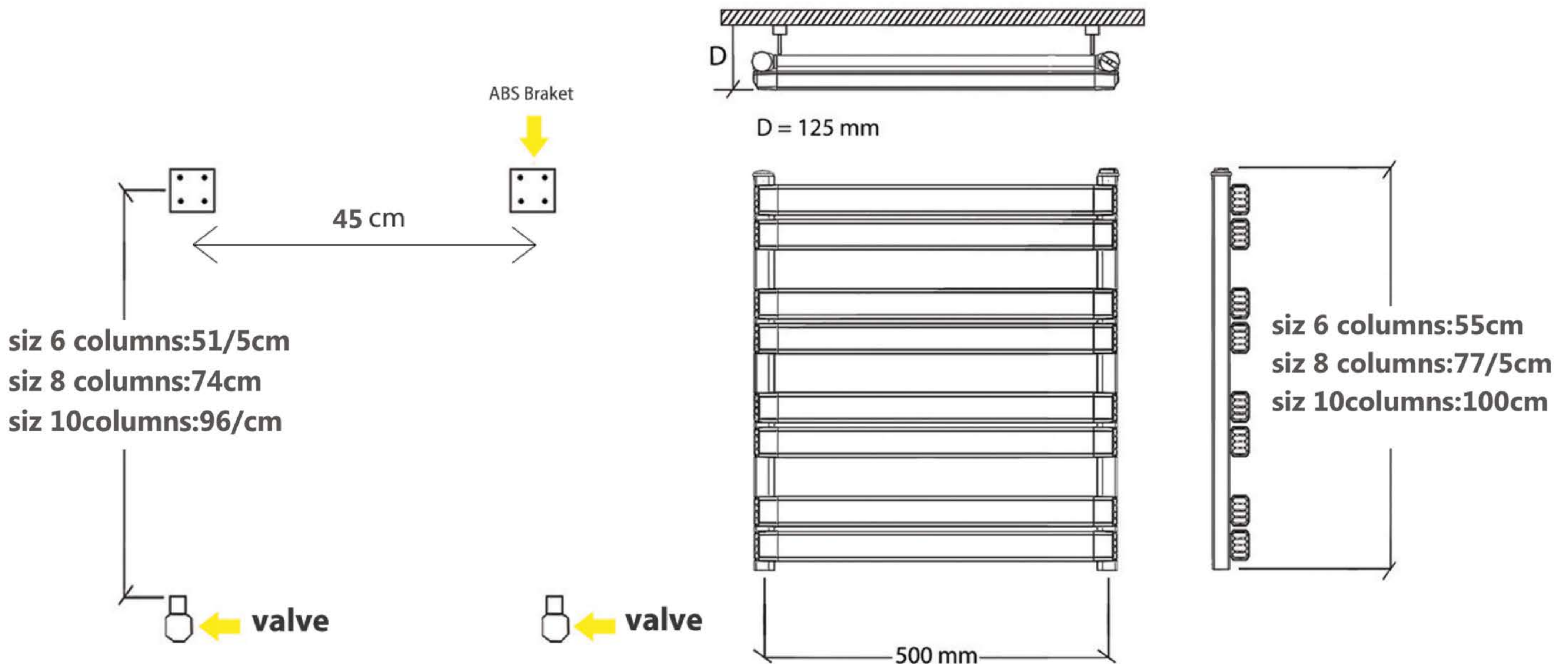
- pioneer
- superluxe
- onyx



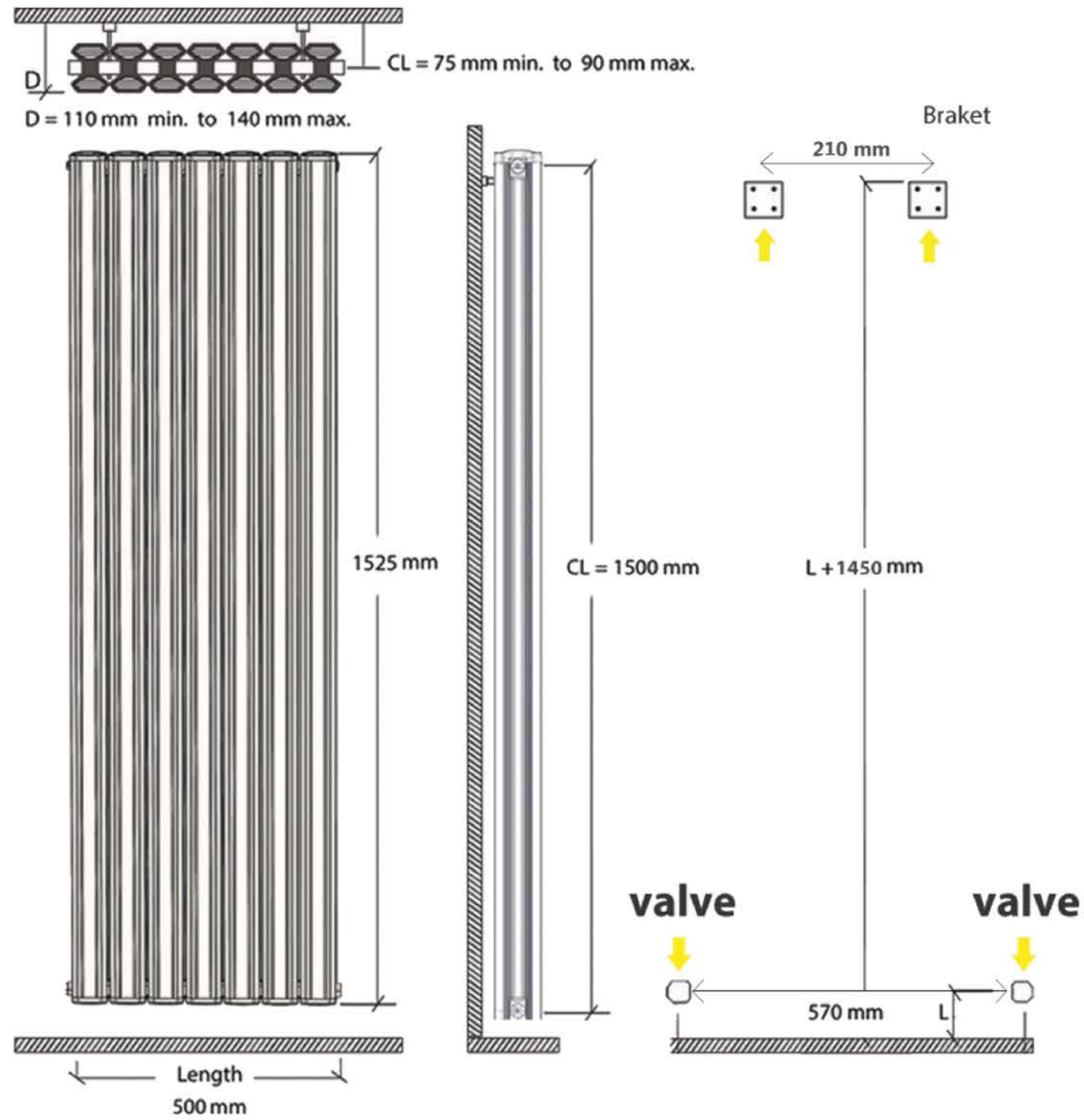
- Size: 50 cm: 21cm
- Size: 80 cm: 49cm
- Size: 100cm: 70cm
- Size: 120 cm: 91cm
- Size: 135 cm: 105cm



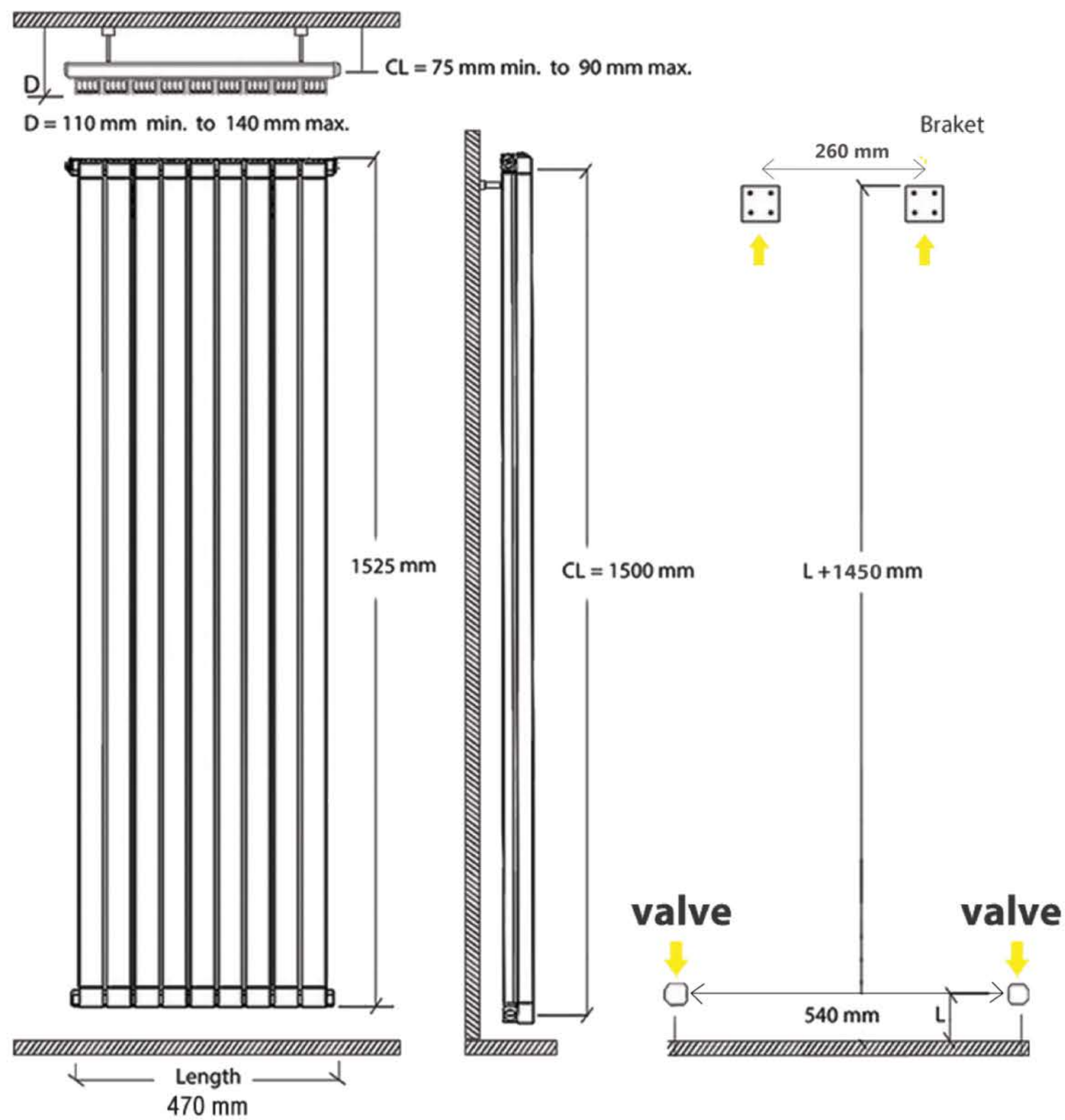
Installation Guide for venice towel dryer:



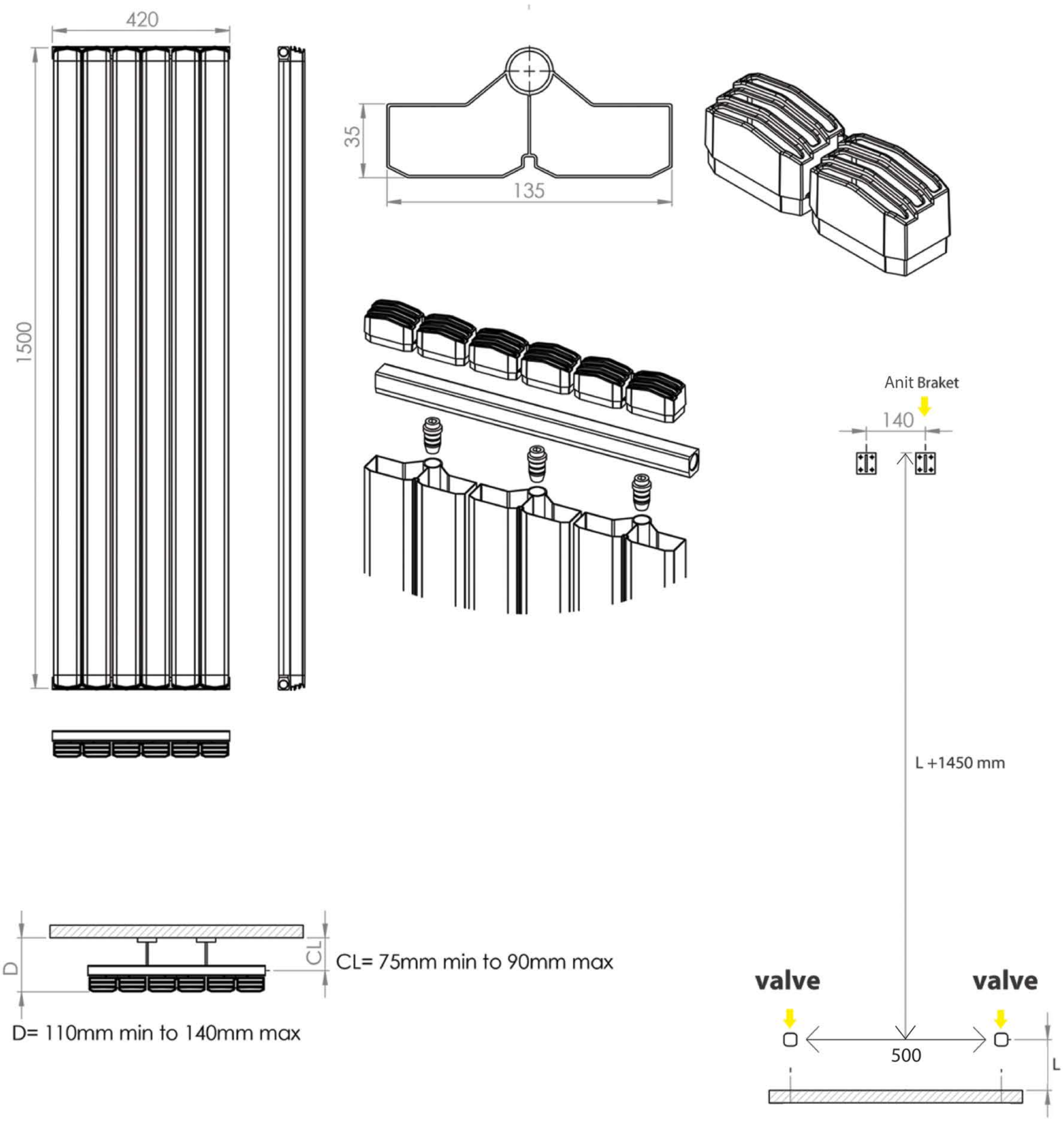
Installation Guide for Decorative and Vertical Model :



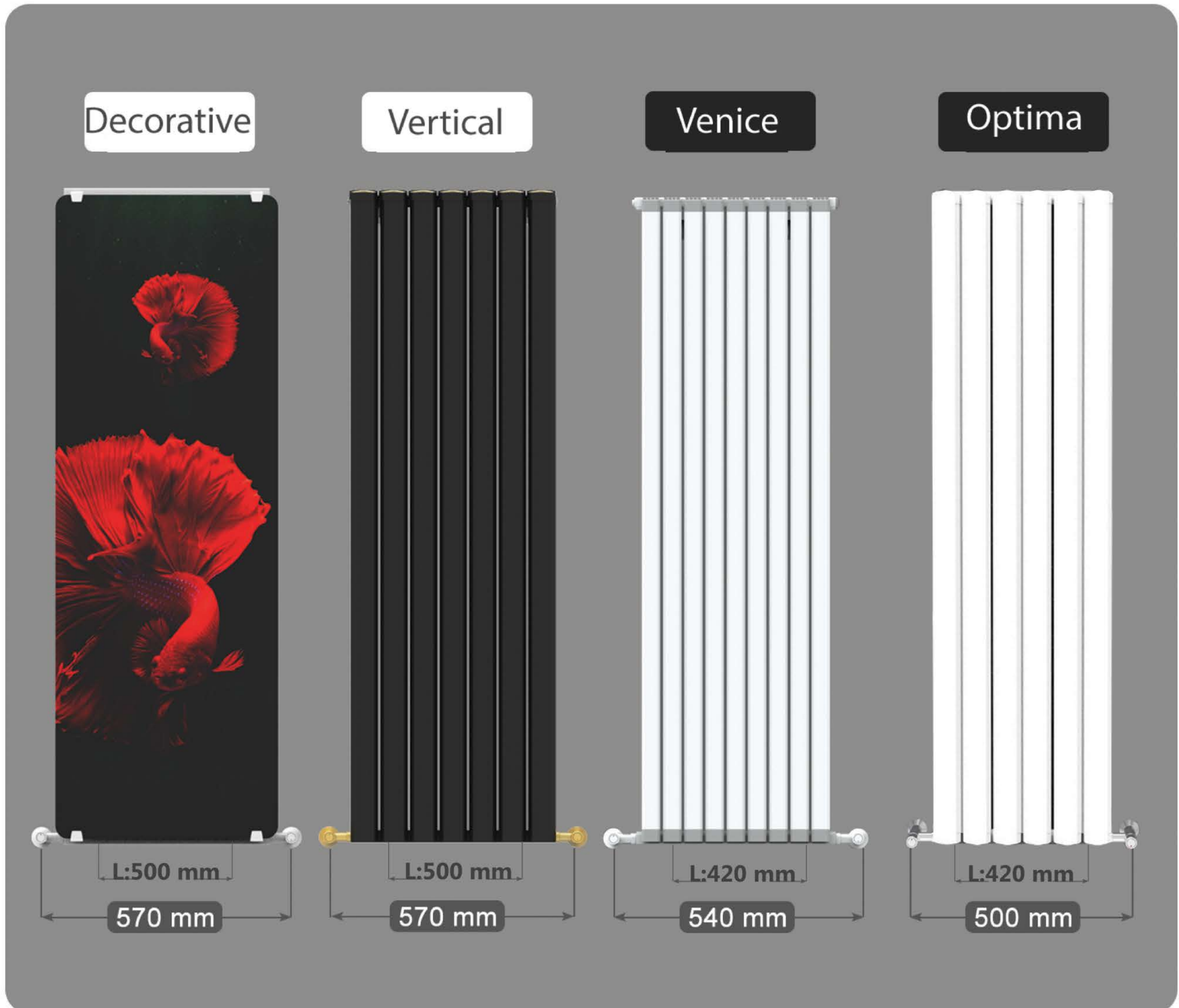
Installation Guide for Venice Model :



Installation for Optima Model :

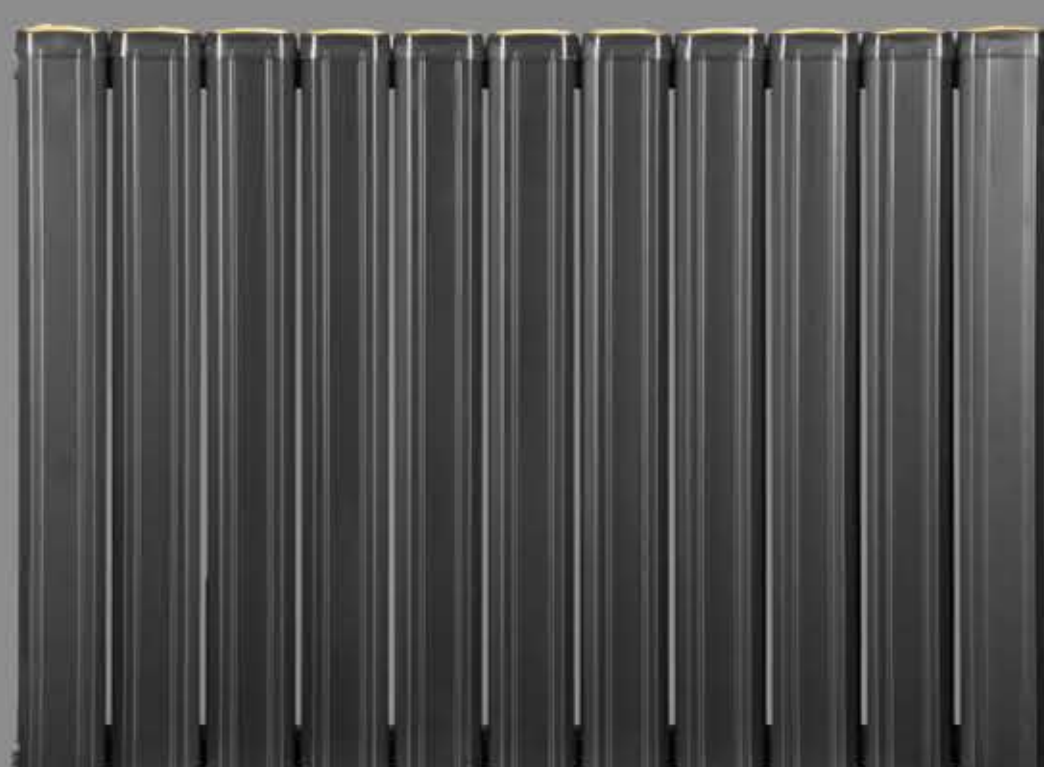


Pipe center of Vertical Radiators:



Model	Length	pipe Centre
Vertical and Decorative	500 mm	570 mm
Venice	470 mm	540 mm
Optima	420 mm	500 mm

Pipe center of Horizontal Radiators:



pioneer



Super luxe



onyx

Model	Number of Columns	Length	pipe Centre
Pioneer	7	490 mm	560 mm
	11	770 mm	540 mm
Onyx	14	980 mm	1050 mm
	17	1190 mm	1260 mm
Super Luxe	19	1330 mm	1400 mm

Installation Steps:

1



Determine the position of the Bracket's screws according to the installation instructions on the wall (based on the structure on page 4,5), then drill the wall and put the dowel screw inside the holes.

2



Install the back side of the bracket on the wall with the screw.


3



Wrap the Teflon Tapes in the radiator valve.

Installation Steps:

4

A close-up photograph showing a person's hands applying a roll of blue Teflon tape to the end of a metal pipe. The pipe has a white plastic fitting at the end. The person is holding the pipe with one hand and the tape with the other, carefully wrapping it around the threads.

Wrap the Teflon Tapes in two end side of the installation pipes and connections.

5

A photograph showing a person's hand using an Allen wrench to tighten a valve. The valve is a lock shield valve with a brass fitting, and it is being installed into a radiator. The valve is partially wrapped in blue Teflon tape. The radiator has a black plastic sealing tap inside the collector.

Tighten the valve from the side of the wrapped Teflon tape inside the radiator by Allen wrench. (Please only install the lock shield valve where there is black plastic sealing tap inside the collector , please follow the installation structure on page 2)

6

A photograph showing a person's hand holding a metal pipe with a white plastic fitting. The pipe is being prepared for installation into a wall. The pipe has a white plastic fitting at the end and a metal pipe with a white plastic fitting at the other end.

Install the connection from one side to the wall.

Installation Steps:

7



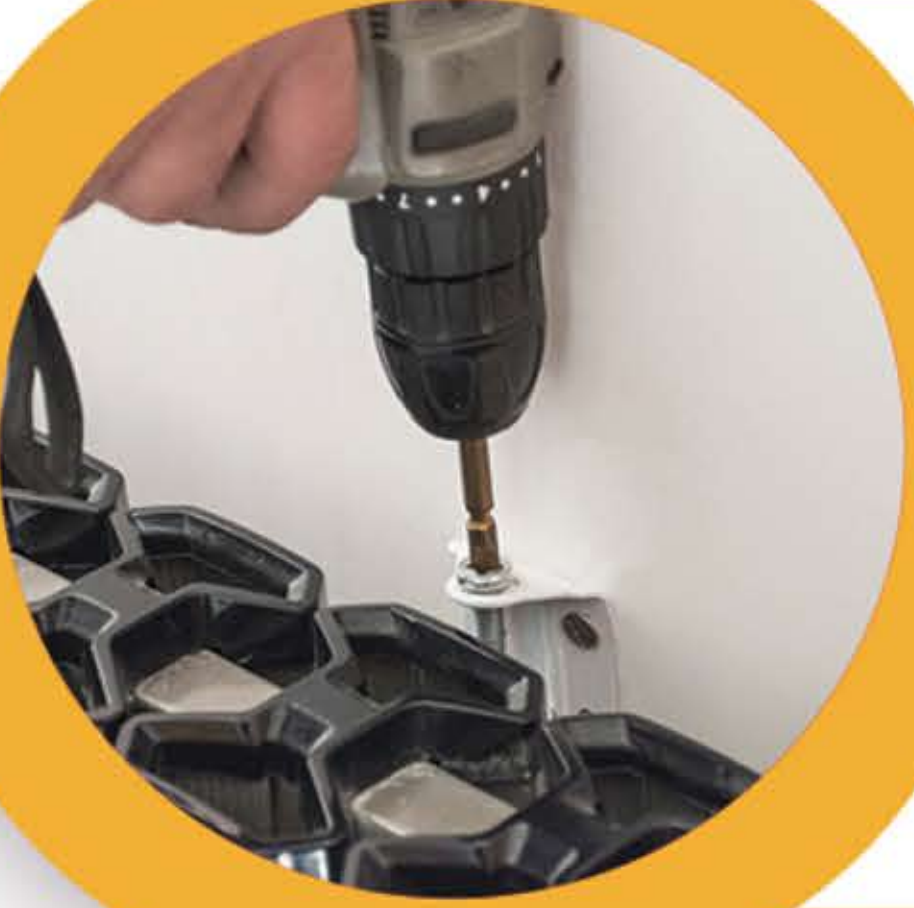
Install the radiator valve from one side to the connection pipe.

8



Install the valve to the radiator.

9



Adjust the height of radiator from each side by twisting the adjustment screw of bracket by screw driver.

Care and Use

- Only clean the radiator when the surfaces are cold. Only use a moist cloth to clean the outer surfaces of the radiator. To remove more stubborn marks, use a neutral liquid detergent or soapy water. Do NOT use any abrasive cleaners, cleaning liquids, aerosols or polishing pastes.
- The heated air outlet at the top of the radiator can be periodically vacuumed clean.
- Do not place a shelf directly on top of the radiator.

Fault Finding

Reduced or no output from radiator

- Check boiler or Heat pump is operating correctly
- Check flow and return connections to radiator are correct. (Check uniform heating section of this guide)
- Check radiator is correctly vented
- Check radiator valves are open
- Check system is balanced, i.e. is the lock shield valve correctly set?

Guarantee

Anit Group guarantees the manufacture of the radiator for a period of ten years from the date of installation, unless the installation was more than six months from the date of purchase, in which case the guarantee period will commence six months from the date of purchase, provided that the radiator has been installed and used in full accordance with the installation instructions provided. See main Terms and Conditions below.

If a fault or defect occurs within the manufacturer's guarantee period

If your radiator should have a fault within the guarantee period, it will be covered under the terms of the guarantee, providing that the radiator has been correctly installed and commissioned by competent person and the fault is not due to tampering, debris, system water contamination, misuse, trapped air or the failure of any external components not supplied by Anit Group. e.g. valves, etc. This ten-year guarantee only applies if the radiator is installed and used in full accordance with the installation instructions and proof of purchase is available on request.

In the first instance

Contact your installer to ensure that the fault does not lie with the system operation, system components or any incorrect setting of the heating system or boiler/heat pump controls that falls outside of the manufacturer's guarantee otherwise a service charge could result. Anit Group will not be liable for any charges arising from this process.

- Ensure the radiator has been installed and commissioned by a competent person in accordance with the installation instructions.
- Ensure the problem is not being caused by the heating system or its controls.

A charge may be made (if necessary following testing of parts) if the breakdown is due to any fault(s) caused by the plumbing or heating system, e.g. contamination of parts due to system contamination, sludge, scale, debris or trapped air. Refer to 'Extent of manufacturer's guarantee'.

Extent of manufacturer's guarantee:

The manufacturer's guarantee does NOT cover the following:

- If the radiator has been installed for over Ten years.
- If the radiator has not been installed and commissioned by a competent person in accordance with the installation instructions.
- Fault(s) due to accidental damage, tampering, unauthorized adjustment, neglect, misuse or operating the radiator contrary to the manufacturer's installation instructions.
- Damage due to external causes such as bad weather conditions (flood, storms, lightning, frost, snow, or ice), fire, explosion, accident or theft.
- Fault(s) due to incorrectly sized expansion vessel(s), incorrect vessel charge pressure or inadequate expansion on the system.
- Heating system servicing, de-scaling or flushing.
- Checking and replenishing system pressure.
- Heating system components such as pipes, fittings, pumps, valves and controls not supplied by Anit Group.
- Use of spare parts not authorized by Anit Group.

If the heating system contains antifreeze or any other chemical fluid, the proper pH must be maintained. High or low pH will damage the radiator and void the manufacturer's warranty.

Serial Number:	Warranty Expiration Date:
	Installation Date:
Quality Control:	Technician detail:

